

Panachrome+ Controller Elevator Light Curtain

Product Datasheet



Panachrome+ is the only light curtain in the market with visual indication of door movements to promote passenger safety. You can also remotely view and update the controller firmware through the HUB, removing the need to visit site when troubleshooting.

KEY FEATURES

- Complies with EN81-20 and EN81-70 legislation
- Over the air updates using AVIRE HUB allow for improved remote support
- CAN Bus connection for connectivity
- Coloured red/green indicators highlight door movement
- 2D and 3D detector models available
- Dense infra-red 234 beam light curtain
- Suitable for centre-opening and side-opening doors
- Display and keypad on controller for easy programming
- 10mm & 43mm profiles available

Panachrome+ is an intelligent, unique and premium light curtain that offers advanced door and passenger protection by showing door movement with red and green coloured LEDs. This premium light curtain is available with 3D detection and our latest version can be monitored and updated remotely using our cloud platform the AVIRE HUB.

Panachrome+ uses MKCANBus to connect to our cloudbased HUB and send data such as the number of door cycles completed, number of timed-out diodes and the location of blocked diodes on the light curtain.

This unique light curtain is an effective solution to reduce the amount of site visits needed with access to remote diagnostics and the LEDs for sites where passenger traffic is high or where additional safety measures are required. This product has been proven to reduce door damage and passenger accidents.

For these reasons, typical applications include: hospitals, hotels, airports and prestigious public access buildings.

The new Panachrome+ controller has an in-built display and keypad allowing for quicker customisation and fault-finding during installation.

With manufacturing locations in 2 countries and sales offices in 7 locations, we manufacture the world's most trusted solutions that have already been installed in over 300,000 lifts across Europe to ensure passenger safety and compliance. We also offer local Support Services to ensure our customers receive the help they require.



Technical Specification

Product Code	G3540 (3D)	G3510 (3D)	G2540 (2D)	G2510 (2D)
Detector Dimensions	43mm x 16mm x 2005mm	10mm x 33mm x 2000mm	43mm x 16mm x 2005mm	10mm x 33mm x 2000mm
G3852 Controller Dimensions	239mm x 172mm x 51mm			
Number of Diodes	48			
Number of Beams	234			
Ext. Cables 015 455 Length	4m			
Detector Specifications:				
Monitoring height minimum	20mm			
Monitoring height maximum	1800mm			
Range - 2D	6m			
Range - 3D	Typically, half door separation (0.3m-1.2m)		N/A	N/A
Maximum voltage in Detector	12VDC			
Maximum power consumption	6W			
Operating temperature range	-10°C to +65°C			
EMC Compliance	Emissions to EN12015:2020; Immunity to EN12016:2013 FCC 47 CFR, Part 15 Subpart B, Class A ICES-003 Iss 7, Class A			
Ingress Rating	IP65			
Light Immunity Rating	>100.000lux			
Controller Specifications:				
Voltage requirements	Universal AC supply 85 to 240VAC or 15 to 28VDC*			
Power consumption	31W maximum with detectors fitted and indicators ON			
Door operator relay	250V AC, 24V DC at 5A			
Trigger Duration	350mS typical 2D, 1 second typical 3D			
Timeout	Switched ON/OFF 10-360 seconds adjustable			
2D Detection Response Time:	Typically < 100ms			

*Controller supports DC input up to an absolute maximum of 48VDC, however, to maintain CSA certification requirements, do not exceed 28V

Ordering Information

Part No.	Product Description	Profile
G3540 000	Set of 3D TX, RX Detectors and Fixing Kit	43mm
G3510 000	Set of 3D TX, RX Detectors and Fixing Kit	10mm
G2540 000	Set of 2D TX, RX Detectors and Fixing Kit	43mm
G2510 000	Set of 2D TX, RX Detectors and Fixing Kit	10mm
G2510 803	Clamp kit to fit one detector	-
G3852 000	Panachrome+ Controller (includes two 4m cables, one cable per edge)	-
015 455	4m extension cable	-
SMART-3DS-S-01-000	SMART-3DS-S-01-000 Smart 3D Radar Sensor (Optional), ASME 17.1	-
SMART-3DS-S-02-000	SMART-3DS-S-02-000 Smart 3D Radar Sensor (Optional), Long Range (Non ASME 17.1)	-

This product is designed for use in elevators with powered automatic doors where the closing energy is less than 10J in normal operation and less than 4J during de-activation of the light curtains or less as per EN81 requirements. It should be installed by qualified personnel only, therefore any use outside of this application is at the installer's own risk and should be assessed appropriately. As a result of our policy of continual improvement, the information in this document is subject to change without notice and it is intended only as general guidance on product performance and suitability. This information shall not form part of any contract.

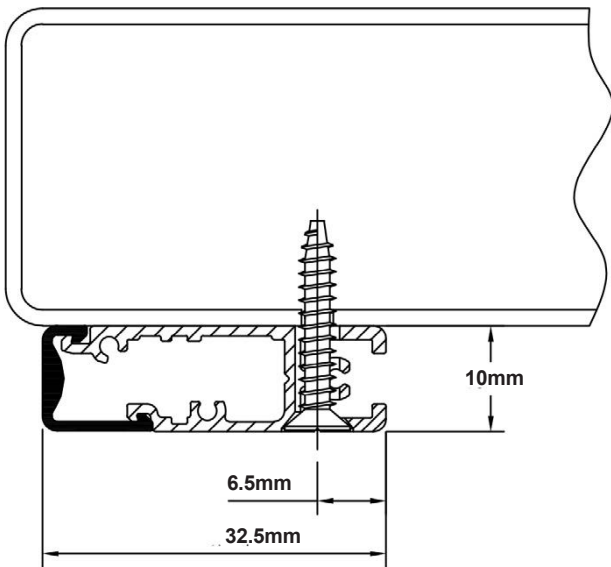


Fig. 1: 10mm Profile fixed with countersunk self-tapping screw

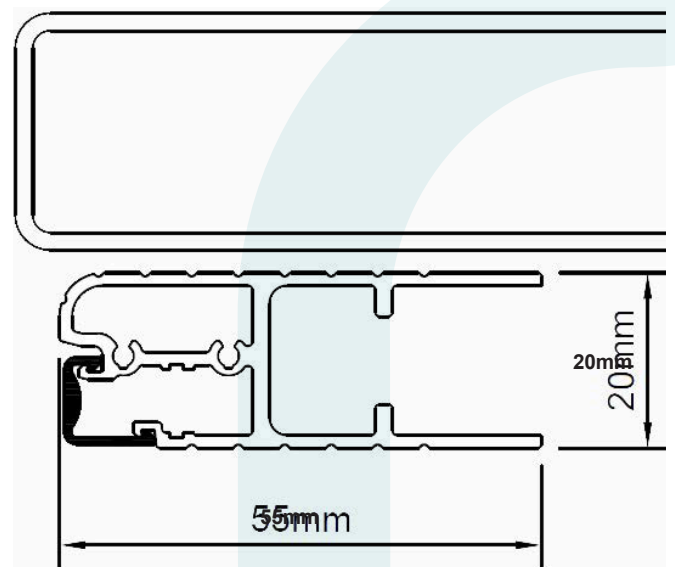


Fig. 3: 2in1 or 3in1 20mm Profile

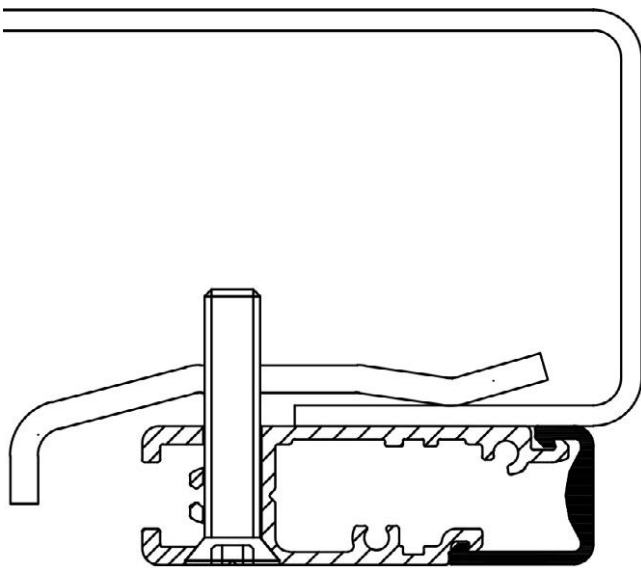


Fig. 2: 10mm Profile mounted using a fixing clamp plate

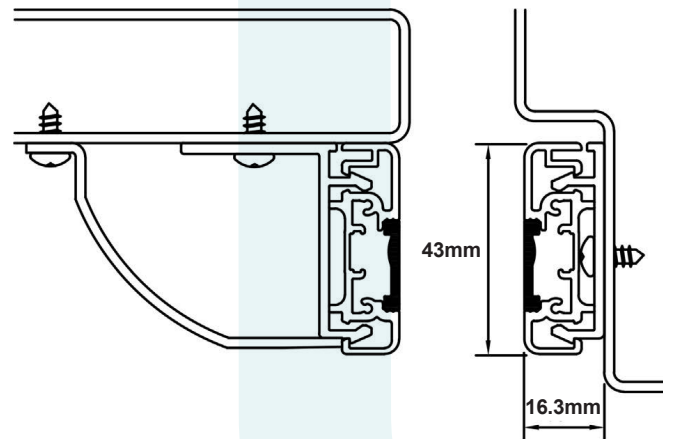
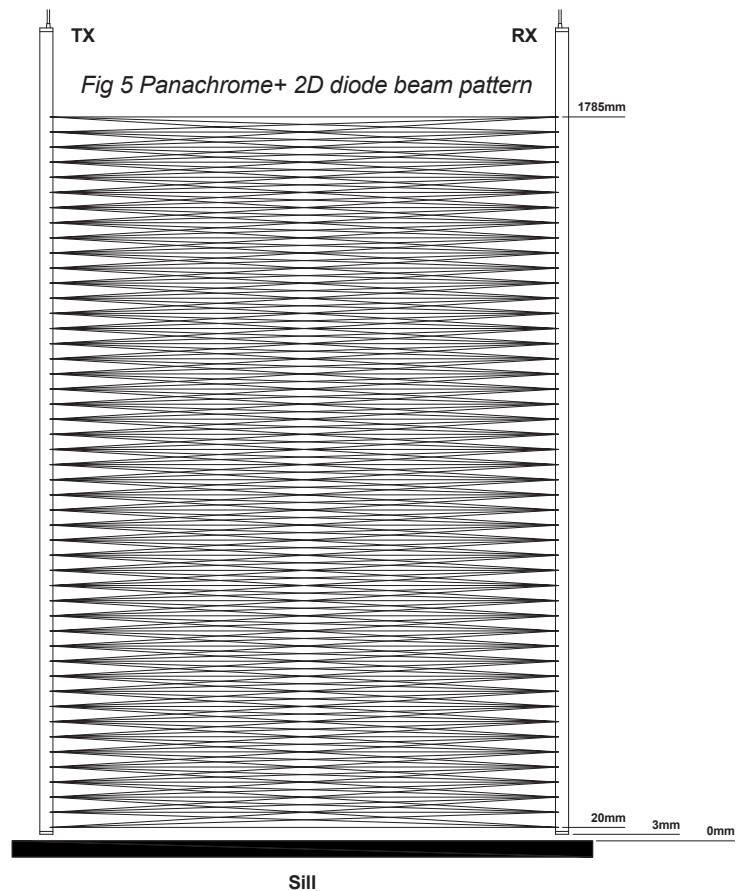


Fig. 4: 43mm Profile mounted for side-opening using an 'L' bracket with a finger guard and slampost bracket

2D Beam Pattern

The Panachrome+ features a 48 diode based 2D detection system supporting up to 234 criss-cross beams as shown in Fig 5 below. A dense 234 beam pattern is capable of easily picking up obstructions in compliance to EN81-20 and much smaller targets which exceed the standard offering premium safety.



3D Detection

The 3D detection extends out to approximately half the door separation (Fig 6). As the doors close the 3D detection zone moves inwards. The system can be configured for different operating modes to suit particular installation needs. The Panachrome+ 3D detectors suit a wide variety of doors including both centre-opening and side-opening. The Panachrome+ controller (G3852 000) is available for 15 to 28VDC and a universal AC supply of 85 to 240VAC.

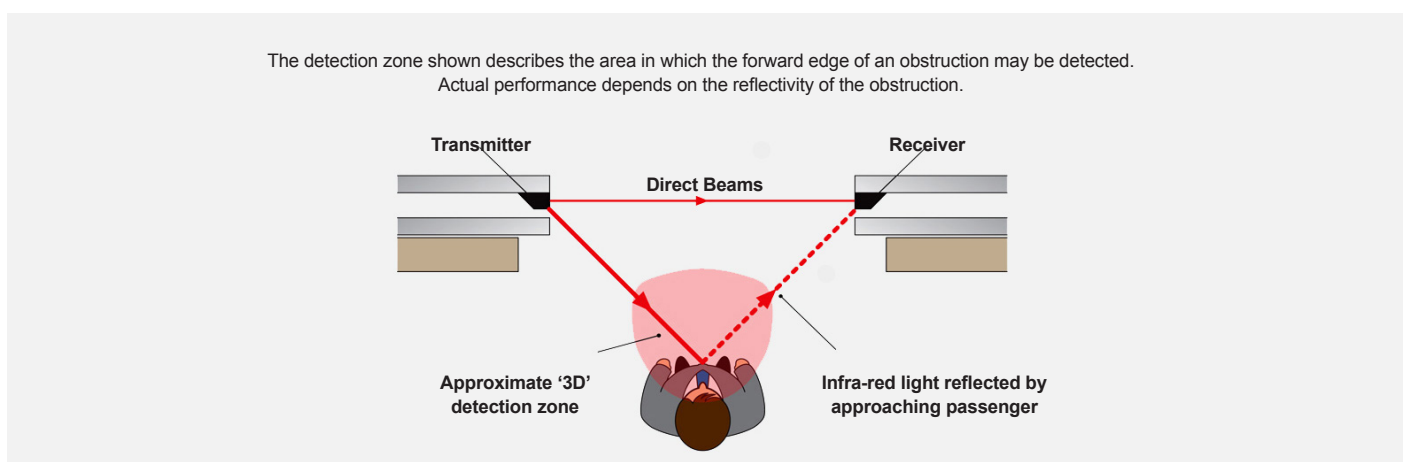


Fig.6 The operating principle of the Panachrome+ 3D showing the sensitive zone projected into the landing