

Front View

Back View

Side View

Part #: 2100-SVCF

Code Compliance:

- Certified to CSA Standard B44.1, conforms to ASME Standard 17.5

Power Requirements:

- Powered by the SmartView Controller

Wiring Requirements:

- 16' connection cable to the SmartView Controller included

Additional Features:

- Clear acrylic dome included
- Interfaces with the SmartView Controller
- Adjustable mounting frame
- Wide angle lens
- Recommended mounting height 55"-60" from floor
- Recommended angle adjustment 30° downward

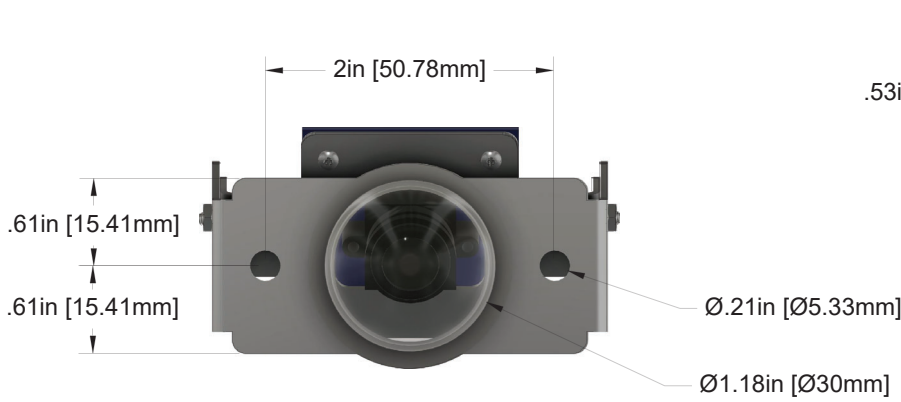
Specifications:

Dimensions: Camera: 1.49" H x 1.49" W x 0.98" D Bracket: 2.75" H x 3.9" W x 1" D

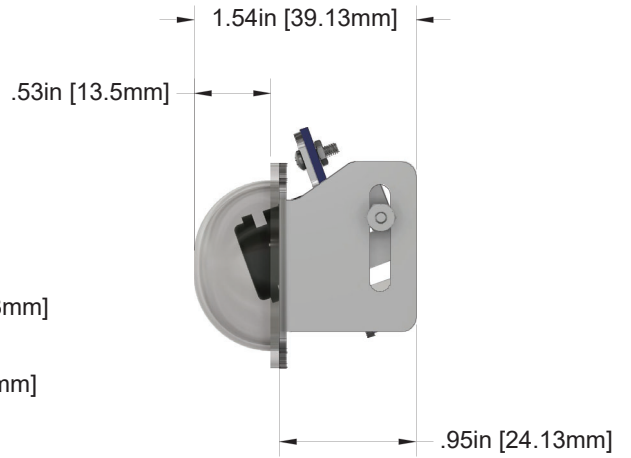
Environmental: 32° F to 140° F (0° C to 60° C)

Mounting: Behind the Panel

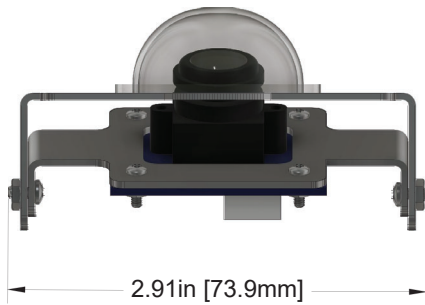
Warranty: 2 Years



Front View



Side View



Bottom View

